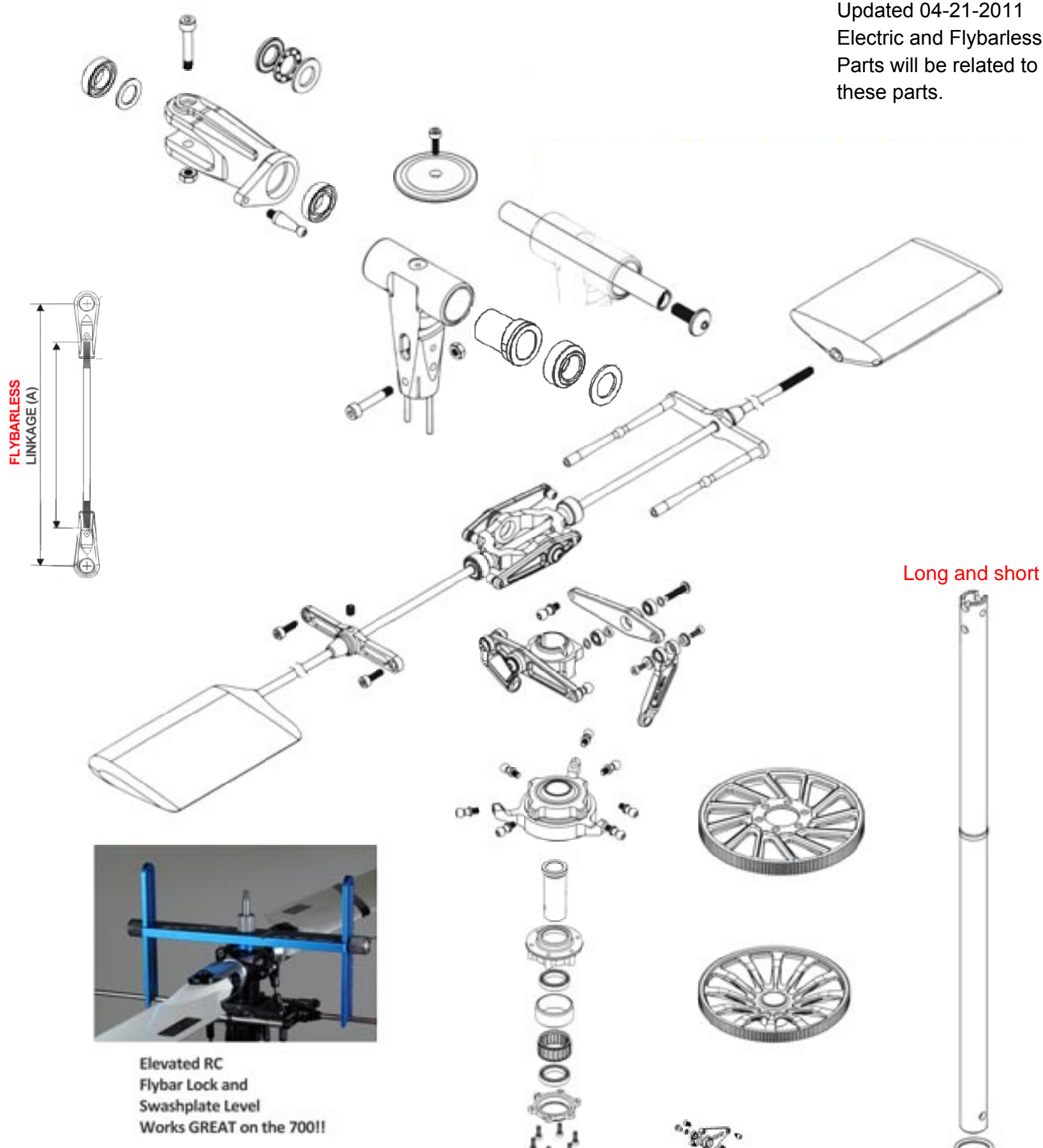


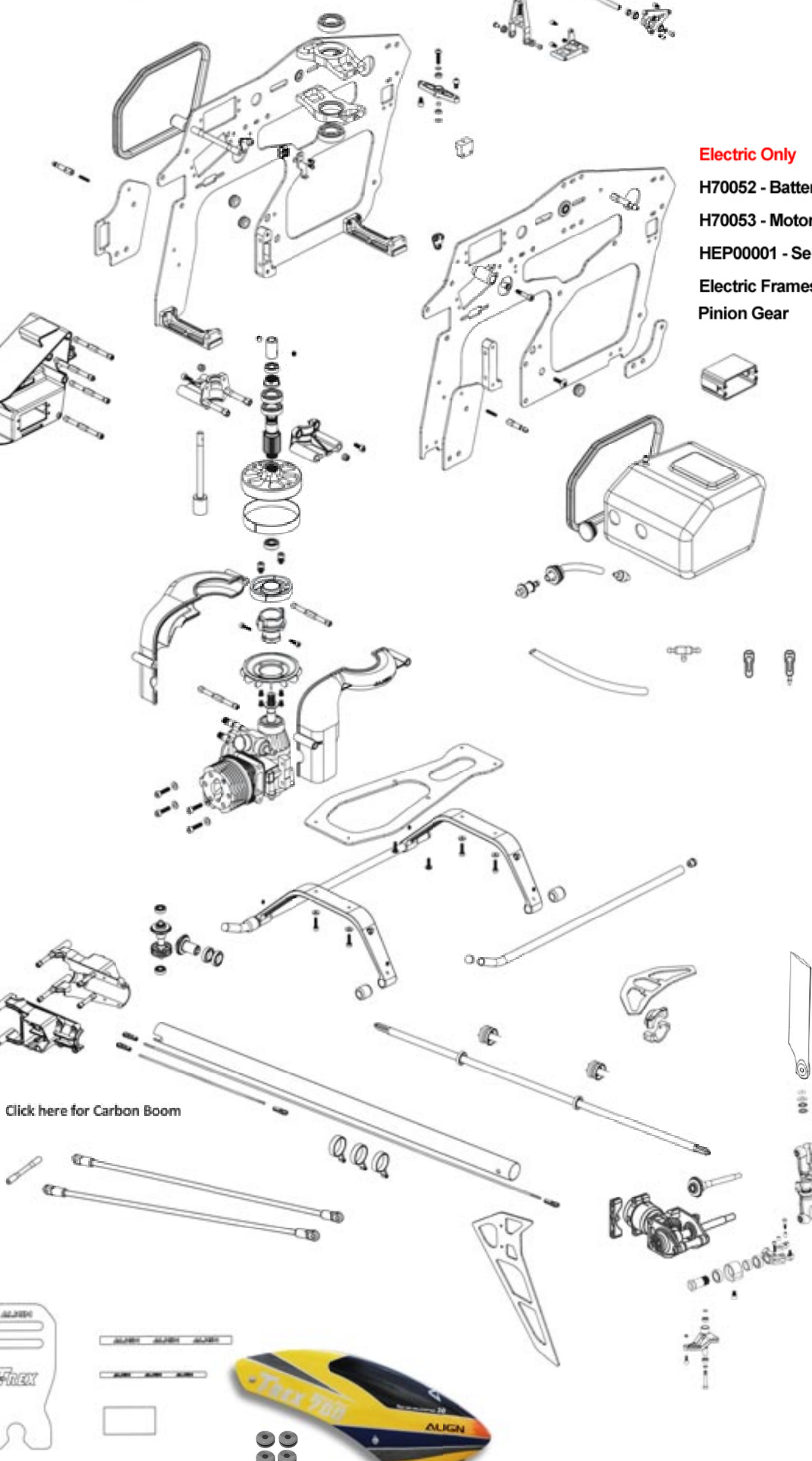
Updated 04-21-2011
Electric and Flybarless
Parts will be related to
these parts.



Elevated RC
Flybar Lock and
Swashplate Level
Works GREAT on the 700!!

Electric Only

- H70052 - Battery Mount
- H70053 - Motor Mount
- HEP00001 - Serial Adapter
- Electric Frames and parts
- Pinion Gear



[Click here for Carbon Boom](#)



Measurement
here are for
Nitro Pro only

T-rex 700 Linkage

First number is the length of the rod without links. Second number is with links center to center (approximate)

Other linkage items:
Links - HN7058-1
Balls - HN7065 and HN7080
Rods - HN7063 and HN7064

Servo wheels
Futaba
JR
Hitec

HN7064
E - 72mm x 3
F - 87mm x 5
Front t/r rod - 260mm
Front t/r rod carbon tube

HN7063
A - 14mm x 2
B - 22mm x 2
C - 56mm x 2
D - 44mm x 2

